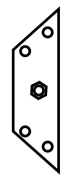
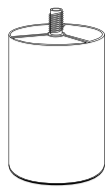
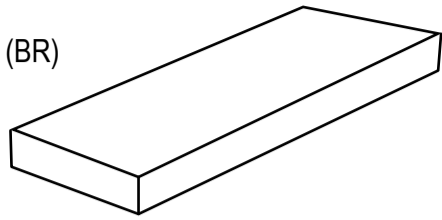


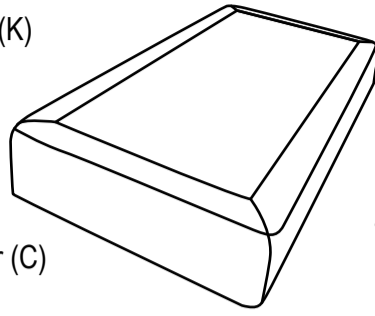
ASSEMBLY INSTRUCTIONS CONTINENTAL



x 4 legs + bracket (BR)



x 2 Core (K)



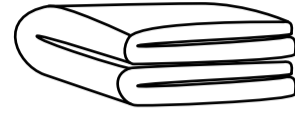
x 2 Box (B)



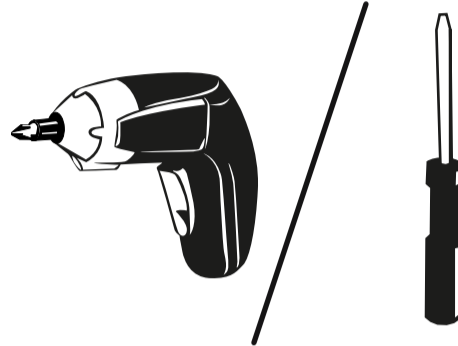
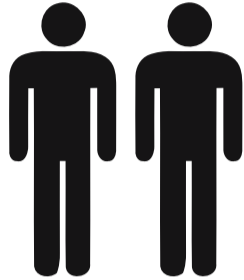
x 32 Screw (S)



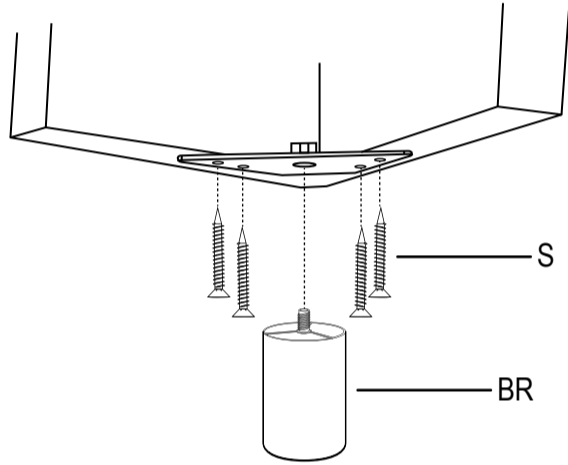
x 2 Cover (C)



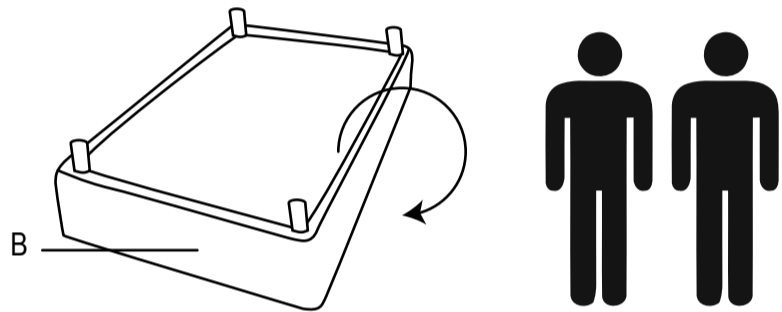
x 1 Top (T)



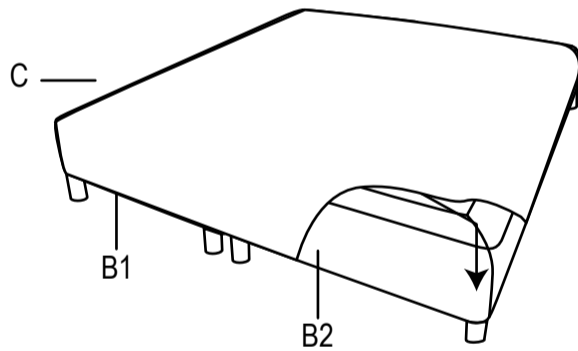
1



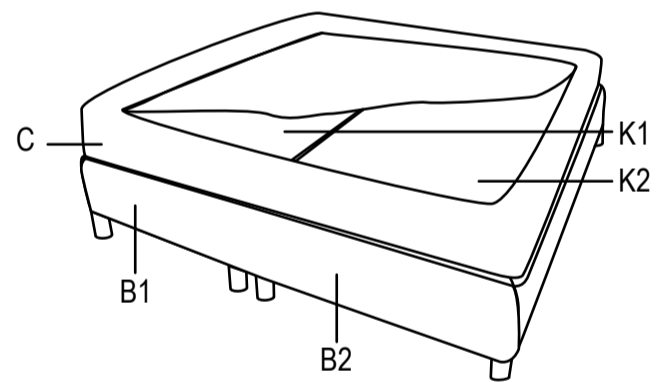
2



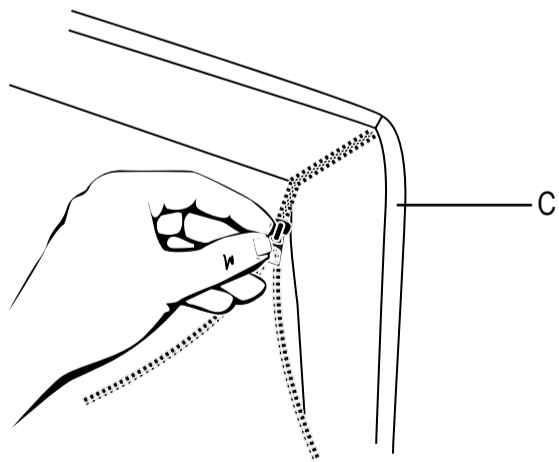
3



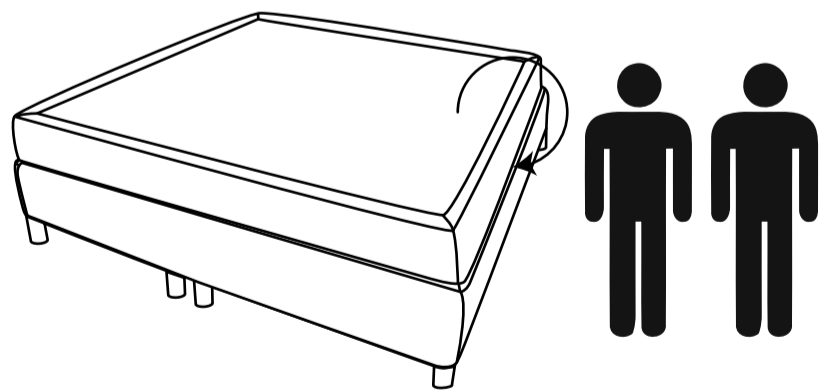
4



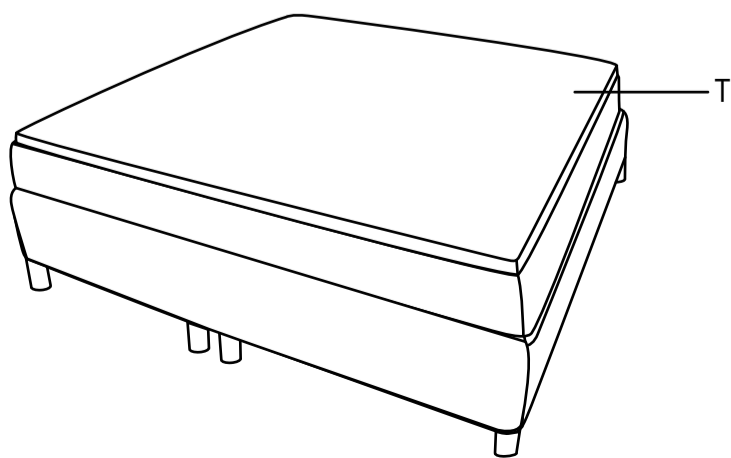
5



6



7



ASSEMBLY FOR SUPPORT LEG

